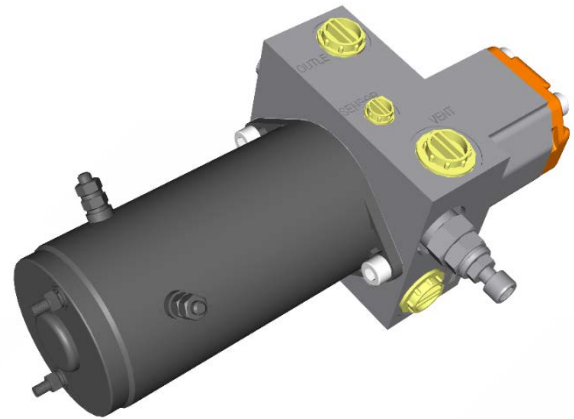


ezeHelp™ - DC Electro Hydraulic Pump

ezeHelp™ is a hydraulic power source used on all mobile applications (lifting, moving, steering, etc).

Turolla ezeHelp™ consists of the following units:

- 12/24/48 V DC Electric Motor (from 1 to 5 KW)
- Gear Units (standard displacement: 1,2 – 25 cc)
- Options:
 - Integrated valves (unloading, pressure relief, priority LS, etc)
 - Switch relay IP67
 - Electric motor plate
 - Thermal switch



Features & Benefits

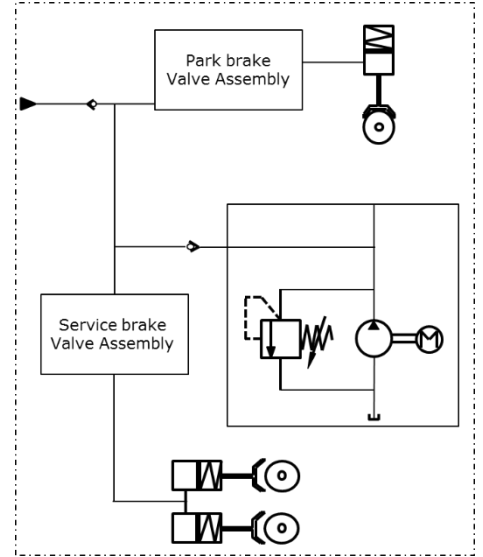
ezeHelp™ is designed and sized to supply oil flow for different functions in different applications.

Here below some examples:

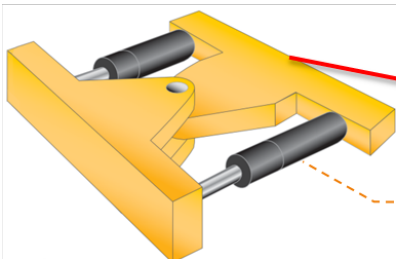
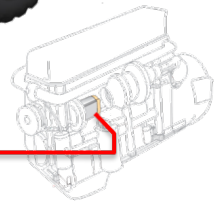
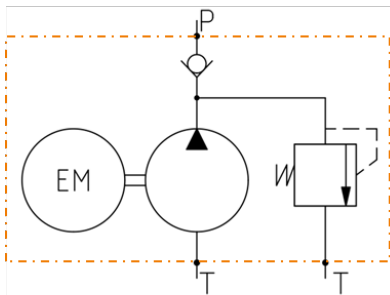
- Aerial Lift (lifting, steering, levelling)
- Agriculture (supplementary steering and breaking, auxiliary function)
- Construction (supplementary steering and breaking, auxiliary function)

Parameters	Unit	
Power	kW	0,5÷5*
Technology	Compound winding/permanent magnet	
Voltage	V	12; 24; 48
Outer diameter	mm	112÷135
IP class	Up to IP67*	
Displacement	cc	1,2÷25

ezeHelp™ Electro Hydraulic Pump



Application example 1: *park brake release and service brake engagement*



Application example 2: *emergency hydro power for steering in case of main steering failure*