

Dolomites Cast Iron Gear Pumps & Motors

Dolomites has been specifically designed for mobile equipment applications requiring a heavy duty pump with compact dimensions.

Dolomites uses a two piece design and is available in in two group sizes with displacements from 10 to 150 cm³.

Dolomites

Dolomites Group 3
10 to 100 cm³ (0.62 to 6.10 in³)

Dolomites Group 4
43 to 150 cm³ (2.66 to 9.20 in³)

Typical applications for Dolomites include: agriculture, road building, material handling, forestry, marine, and the transportation, industry.

Features & Benefits

Dolomites is constructed using a rugged two piece cast iron design.

- Flange and body are constructed with durable cast iron. Cast iron offers thermal stability, contamination resistance, and strength for consistent performance and durability in severe duty cycle applications
- Pressure-balanced thrust plates and high performance journal bearings optimize volumetric efficiency across the range of operating speeds and pressures.

Dolomites is available with a broad range of mounting flanges, drive shafts, and porting options.

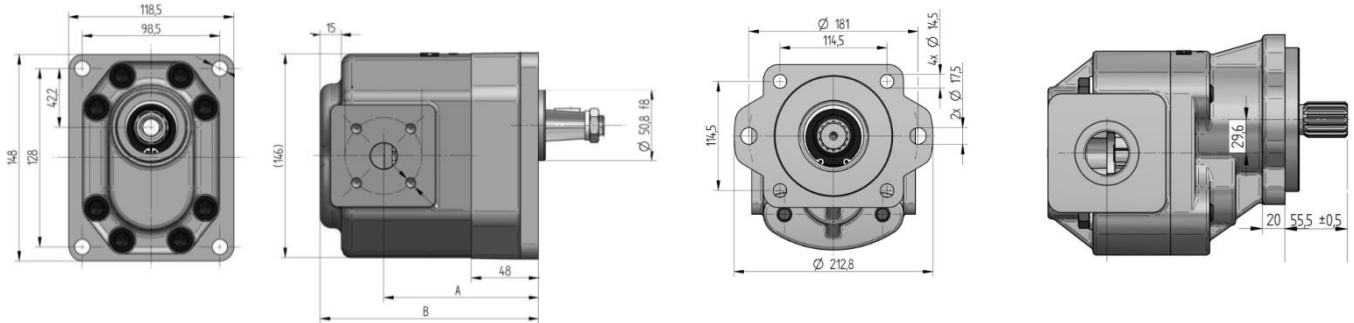
- Optional roller bearings for side load applications
- ISO, SAE and UNI configurations
- Available also as reversing pump and motor

Whenever you're faced with heavy duty application and need a **compact durable product with competitive pricing**, Dolomites is here to deliver!

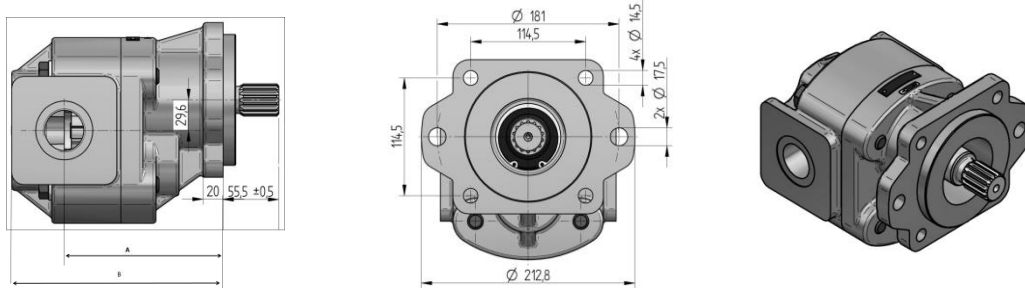


Dimensions and Ratings

Dolomites Pumps & Motors



Parameters	Unit	Dolomites Group 3									
		10	17	27	34	43	51	61	71	82	100
Displacement	cm ³ /rev [in ³ /rev]	10.11 [0.617]	17.24 [1.052]	27.35 [1.669]	34.05 [2.078]	43.47 [2.653]	51.44 [3.139]	61.59 [3.758]	71.01 [4.333]	81.87 [4.996]	99.98 [6.101]
Maximum speed	min ⁻¹ [rpm]	3200	3200	3200	3000	2800	2600	2400	2200	2000	1800
Max. continuous pressure	bar [psi]	290 [4200]	290 [4200]	290 [4200]	290 [4200]	280 [4060]	260 [3770]	260 [3770]	230 [3330]	200 [2900]	180 [2610]
Dimension A	mm	85	82	94	98,5	104	111	119	121,5	130,5	148
	in	3,346	3,228	3,701	3,878	4,094	4,370	4,685	4,783	5,138	5,827
Dimension B	mm	122	128	136,5	142	149,5	156,5	160,5	169	178	205
	in	4,803	5,039	5,374	5,591	5,886	6,161	6,319	6,654	7,008	8,071



Parameters	Unit	Dolomites Group 4										
		43	51	56	61	71	82	90	100	110	125	150
Displacement	cm ³ /rev [in ³ /rev]	43.6 [2.66]	51.8 [3.16]	56.5 [3.45]	61.2 [3.74]	71.8 [4.38]	82.4 [5.03]	90.7 [5.53]	100.1 [6.11]	110.7 [6.75]	126.0 [7.69]	150.7 [9.20]
Maximum speed	min ⁻¹ [rpm]	2800	2600	2600	2600	2400	2400	2400	2200	2200	2000	1800
Max. continuous pressure	bar [psi]	280 [4060]	280 [4060]	280 [4060]	270 [3915]	260 [3770]	240 [3480]	240 [3480]	230 [3330]	210 [3040]	190 [2755]	170 [2465]
Dimension A	mm	134,5	138	142,5	148,3	150,5	152,8	154,5	158,5	163	169,5	180
	in	5,295	5,433	5,610	5,839	5,925	6,016	6,083	6,240	6,417	6,673	7,087
Dimension B	mm	187	190,5	192,5	194,5	199	203,5	207	211	215,5	222	232,5
	in	7,362	7,500	7,579	7,657	7,835	8,012	8,150	8,307	8,484	8,740	9,154