



## Cascade Cast Iron Gear Pumps & Motors

Cascade has been specifically designed for heavy duty mobile equipment applications. It is available in two group sizes with displacements from 17 to 150 cm<sup>3</sup>.

### Cascade Group 3

17 to 71cm<sup>3</sup> (1.06 – 4.33 in<sup>3</sup>)

### Cascade Group 4

51 to 150 cm<sup>3</sup> (3.16 – 9.20 in<sup>3</sup>)

Typical applications for the Cascade pumps & motors include: mining, construction, agriculture, material handling, forestry, marine, transportation, and the petroleum industry.

## Features & Benefits

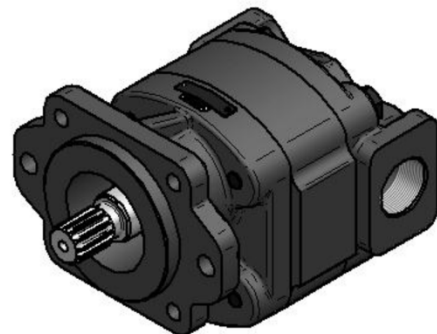
Cascade is constructed using a rugged three piece cast iron design.

- Flange, body, and rear cover are constructed with durable cast iron. Cast iron offers thermal stability, contamination resistance, and strength for consistent performance and durability in severe duty cycle applications
- Pressure-balanced load plates and high performance journal bearings optimize volumetric efficiency across the range of operating speeds and pressures.

Cascade is available with a broad range of mounting flanges, drive shafts, and porting options.

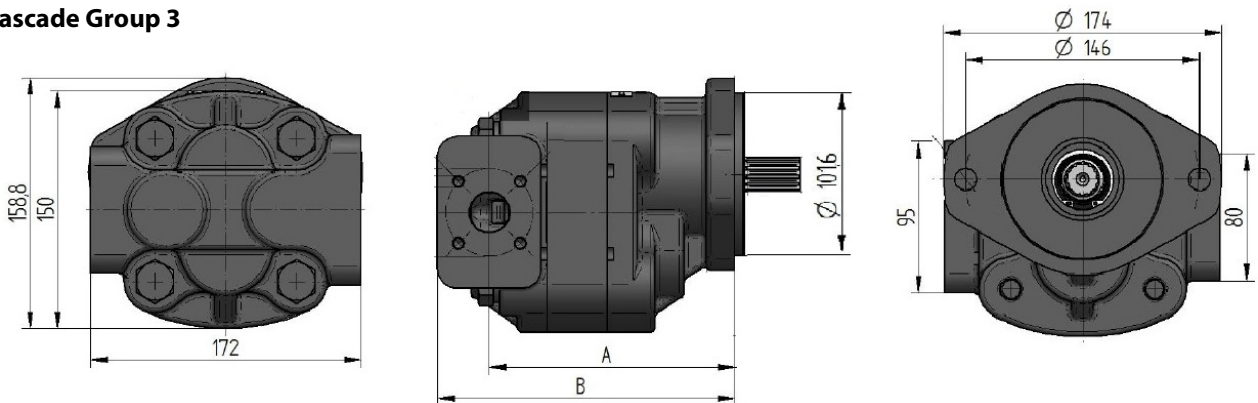
- ISO, SAE and UNI configurations
- Single or multiple pumping sections
- Additional options include outrigger bearings, and reinforced shaft seals
- Available also as reversing pump and motor

Whenever you're faced with heavy duty application and need a **versatile durable product with competitive pricing**, Cascade is here to deliver!



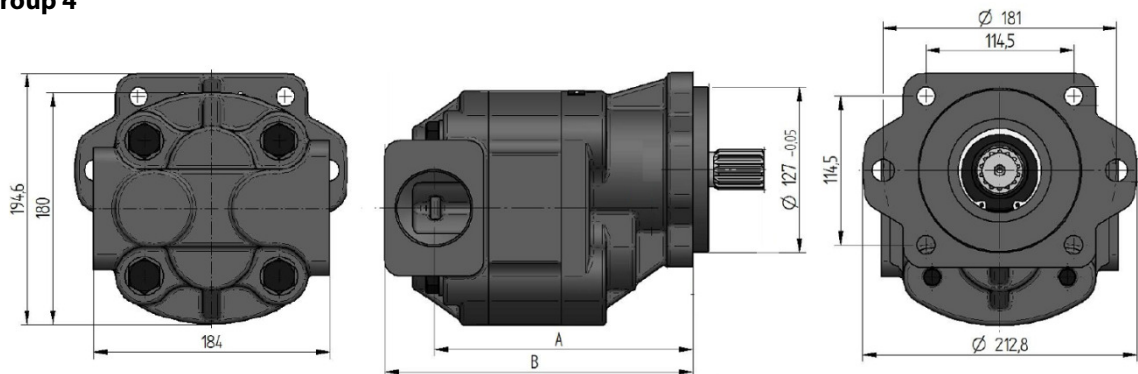
## Dimensions and Ratings

### Cascade Group 3



Parameters	Unit	Cascade Group 3								
		17	22	27	34	43	51	56	61	71
Displacement	cm <sup>3</sup> /rev [in <sup>3</sup> /rev]	17.39 [1.061]	22.46 [1.370]	27.53 [1.679]	34.05 [2.078]	43.47 [2.653]	51.44 [3.139]	55.79 [3.405]	61.59 [3.758]	71.01 [4.333]
Maximum speed	min <sup>-1</sup> [rpm]	3200	3200	3200	3000	2800	2600	2400	2200	1800
Max. continuous pressure	bar [psi]	300 [4350]	300 [4350]	300 [4350]	300 [4350]	280 [4060]	260 [3770]	250 [3620]	230 [3330]	210 [3040]
Dimension A	mm	142,5	146	149,5	154	160,5	166	169	173	179,5
	in	5,610	5,748	5,886	6,063	6,319	6,535	6,654	6,811	7,067
Dimension B	mm	175	178,5	182	186,5	193	198,5	201,5	205,5	212
	in	6,890	7,028	7,165	7,342	7,598	7,815	7,933	8,091	8,346

### Cascade Group 4



Parameters	Unit	Cascade Group 4									
		51	56	61	71	82	90	100	110	125	150
Displacement	cm <sup>3</sup> /rev [in <sup>3</sup> /rev]	51.8 [3.16]	56.5 [3.45]	61.2 [3.74]	71.8 [4.38]	82.4 [5.03]	90.7 [5.53]	100.1 [6.11]	110.7 [6.75]	126.0 [7.69]	150.7 [9.20]
Maximum speed	min <sup>-1</sup> [rpm]	2600	2600	2600	2400	2400	2400	2200	2200	2000	1800
Max. continuous pressure	bar [psi]	280 [4060]	280 [4060]	270 [3915]	260 [3770]	240 [3480]	240 [3480]	230 [3330]	210 [3040]	190 [2755]	170 [2465]
Dimension A	mm	180	182	184	188,5	193	196,5	200,5	205	211,5	222
	in	7,087	7,165	7,244	7,421	7,598	7,736	7,894	8,071	8,327	8,740
Dimension B	mm	218	220	222	226,5	231	234,5	238,5	243	249,5	260
	in	8,583	8,661	8,740	8,917	9,094	9,232	9,390	9,567	9,823	10,236

Italy Phone: +39 051 60 54 411  
 USA Phone: +1 515 239 6677

[www.turollaocg.com](http://www.turollaocg.com)  
[turollaocg@turollaocg.com](mailto:turollaocg@turollaocg.com)